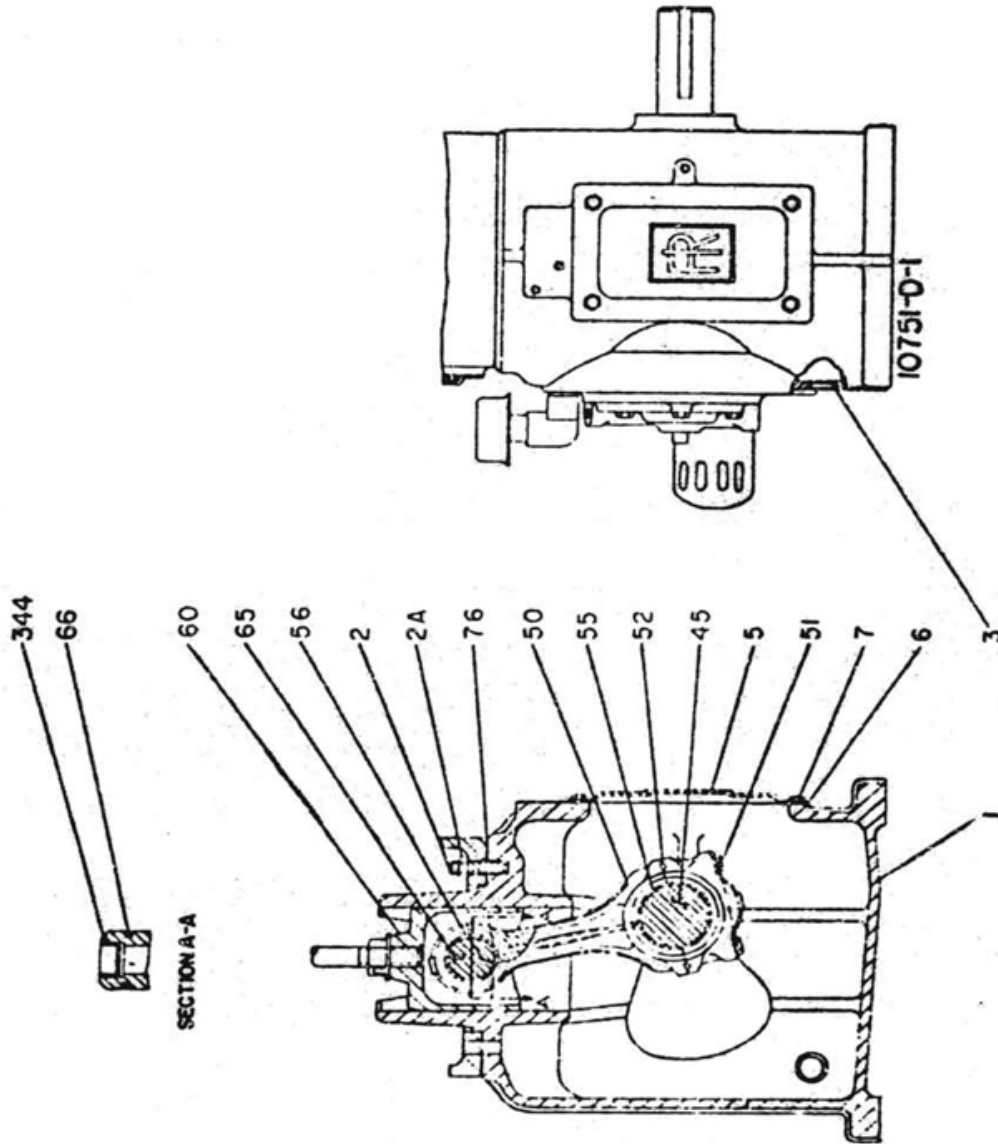
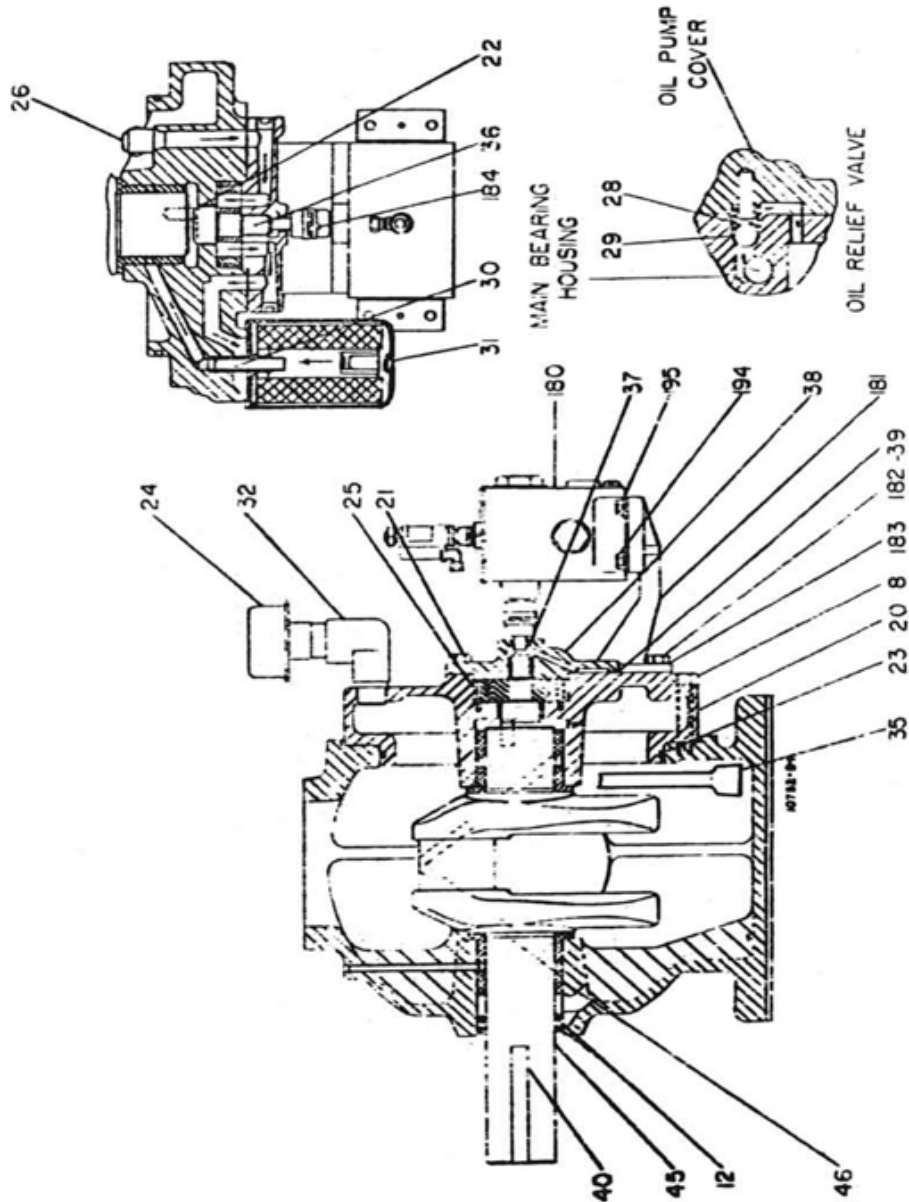


1. FRAME & GEAR - MODEL 8 x 7 LUB



All manufacturer's names, numbers, photos, product description and/or part numbers are used for reference purposes only & it is not implied that any part listed is the product of these manufacturers. Since Approvement are made from time to time, the illustration and specifications are subject to change without notice.

1. FRAME & GEAR - MODEL 8 x 7 LUB



All manufacturer's names, numbers, photos, product description and/or part numbers are used for reference purposes only & it is not implied that any part listed is the product of these manufacturers. Since Approvement are made from time to time, the illustration and specifications are subject to change without notice.

1. FRAME & GEAR - MODEL 8 x 7 LUB

No.	Description	Ref Part No.	QTY
–	Frame & Gear	–	–
–	Frame Complete	3674E1T	–
1	Frame	3674E1	1
2	Stud-Dist PC	11A3C462	8
2A	Nut-Dist PC Stud	16A4C8	8
76	Gasket - Frame	8367D1	1
3	Gauge - Oil Level	6453B1	1
5	Cover - Frame	6537C1	1
6	Gasket - Cover	5849C1-2	1
7	Capscrew - Cover	35A2C217	4
–	Nipple - Drain	18A7W44	1
–	Coupling Drain	11A7W4	1
–	Plug - Drain	30A7S5	1
–	Housing MB Complete	3171E1T	–
20	Housing MB with Bush	3171E1N	1
22	Bushing - Oil Pump	3800C1-2	1
–	Plug- Pipe	31A7S4	2
25	Dowelpin - Oilpump	17A13A141	1
–	Plate-Rotation	8A16X34B	1
–	Screw-Drive	122A2S57	2
8	Capscrew-MB Housing	35A2D386	2
23	"O" Ring -MB Housing	20A11CM457	1
26	Elbow- Male	75A10B20	1
32	Elbow- Breather	6768C1	1
28	Spring-Relief Valve	4859B1	1
29	Ball-Relief Valve	6457B1	1
31	Filter-Oil	6458B1	1
30	Adapter-Oil Filter	4765B1	1
24	Cap-Breather	6459B1	1
35	Pipe Assem-Oil Suct	3188E1-2	1
–	Case-Suct Screen	NSS	1
–	Tubing-Oil Suct	NSS	1
–	Screen-Suction	NSS	1
–	Nut-Tube	NSS	1
36	Pump-Oil Assy	Y1052T1	1
–	Pump-Type H	NSS	1
–	Shaft-Pump Drive	NSS	1
–	Ring-Pump Locating	NSS	1

All manufacturer's names, numbers, photos, product description and/or part numbers are used for reference purposes only & it is not implied that any part listed is the product of these manufacturers. Since Approvement are made from time to time, the illustration and specifications are subject to change without notice.

1. FRAME & GEAR - MODEL 8 x 7 LUB

No.	Description	Ref Part No.	QTY
37	Seal-Oil Pump Shaft	X1220T126	1
–	Cover-Oil Pump Complete	8141D1T	–
38	Cover-Oil Pump	8141D1N	1
–	Plug-Oil Priming	31A7S4	1
–	Plug-Pipe	30A7S5	1
–	Rollpin	25A13C289	1
39	Gasket-Cover	5856C1-1	1
21	Capscrew-Pump	35A2C163	5
–	Bushing Cover	WIN 1362	1
46	Bushing - Main Bearing	5835C1 IM	2
–	Crankshaft Assem	3161E1T	–
45	Crankshaft	3161E1	1
–	Dowel-Pump Drive	NSS	1
40	Key-Crankshaft	11A9C436	1
12	Seal-C-Shaft Oil	X1220T121	2
–	Rod-Conn & Cap Complete	37189628	–
–	Rod-Conn & Cap Assly.	14277D1T	–
50	Rod-Conn & Cap	14277D1	1
51	Bolt-Conn Rod	36A2A440E	2
–	Inches of Wire	X1636T120	16
–	Bushing-Alignment	1W132626	2
55	Bushing-Crankpin	5833C1 IM	1
56	Bushing-Xhead Pin	5832C1	1
–	Crosshead Complete	3165E1P1T	–
60	Crosshead	3165E1P1	1
65	Pin X Head Complete	8498C1T	1
–	Pin-X Head	8498C1	1
344	Plug Pin	5040B1	1
–	Plug Pipe	31A7S3	1
66	Ring-Retaining	Y1040T3 IM	2