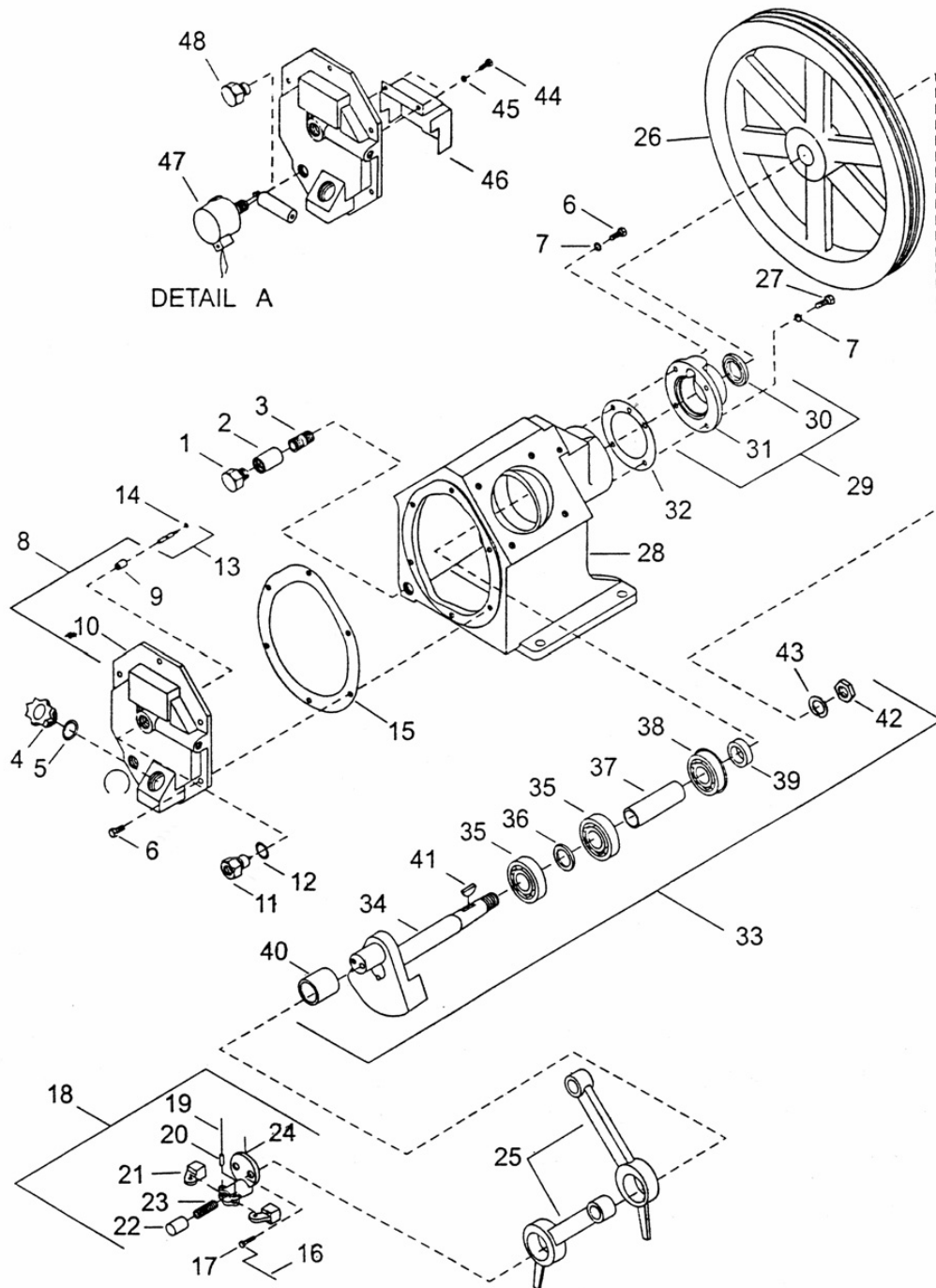


1. COMPRESSOR PUMP ASSEMBLY - MODEL 2545



All manufacturer's names, numbers, photos, product description and/or part numbers are used for reference purposes only & it is not implied that any part listed is the product of these manufacturers. Since Approvement are made from time to time, the illustration and specifications are subject to change without notice.

1. COMPRESSOR PUMP ASSEMBLY - MODEL 2545

No.	Description	Ref Part No.	QTY
1-1	Plug, Pipe - Hex Head 1/2"	95344651	1
1-2	Coupling, Pipe - 1/2"	32179061	1
1-3	Nipple, Pipe	95273330	1
1-4	Plug, Oil Fill	32247843	1
1-5	O-Ring, Oil Fill Plug	32247850	1
1-6	Capscrew, Hex - 5/16 -18 X 1"	95105250	8
1-7	Washer, Copper	95674651	2
1-8	Assembly, Frame End Cover	32293938	1
1-9	– Bushing, Pilot Valve	37127057	1
1-10	– Cover, Frame End	NSS	1
1-11	Valve, Pilot	37113701	1
1-12	Washer, Copper - 7/8"	30346597	1
1-13	Assembly, Thrust Pin	32028698	1
1-14	– O-Ring, Thrust Pin	95210225	1
1-15	Gasket, Frame End Cover	32294035	1
1-16	Lockwire, 12 Gauge - 5"	90799289	1
1-17	Capscrew, Lock -3/8-16 X 7/8"	30278667	2
1-18	Assembly, Crankpin Cap	30289110	1
1-19	– Lockwire - 12 Gauge - 4"	32006587	1
1-20	– Pin, Centrifugal Unloader Weight	30215008	2
1-21	– Weight, Centrifugal Unloader	30221725	2
1-22	– Plunger, Centrifugal Unloader	30216113	1
1-23	– Spring, Centrifugal Unloader	30416978	1
1-24	– Body, Crankspin Cap	30210447	1
1-25	Rod, Connecting	32198160	2
1-26	Beltwheel	32496440	1
1-27	Capscrew - Hex 5/16-18 X 1-1/4"	95079984	2
1-28	Frame, Compressor	32203192	1
1-29	Assembly, Shaft End Cover	32498008	1
1-30	– Seal, Oil	32497810	1
1-31	– Cover, Shaft End	NSS	1
1-32	Gasket, Shaft End Cover	32294027	1
1-33	Assembly, Crankshaft	32294431	1
1-34	– Assembly, Disc and Shaft	NSS	1
1-35	– Bearing, Ball	95200770	2
1-36	– Spacer, Inner Bearing	32203218	1
1-37	– Spacer, Outer Bearing	32203226	1
1-38	– Bearing, Ball - With Snap Ring	95305546	1

All manufacturer's names, numbers, photos, product description and/or part numbers are used for reference purposes only & it is not implied that any part listed is the product of these manufacturers. Since Approvement are made from time to time, the illustration and specifications are subject to change without notice.

1. COMPRESSOR PUMP ASSEMBLY - MODEL 2545

No.	Description	Ref Part No.	QTY
1-39	– Ring, Bearing Retainer	37127941	1
1-40	– Bushing, Crankpin	30210165	1
1-41	– Key, Woodruff	95433173	1
1-42	– Nut, Beltwheel -7/8 -14	95098315	1
1-43	– Lockwasher, Spring -7/8"	95043162	1
	DETAIL A		
1-44	Capscrew - Hex 1/4-20 X 1/2"	95053070	2
1-45	Lockwasher, Spring - 1/4"	95043196	2
1-46	Baffle, Low Oil Level Switch	32270654	1
1-47	Switch, Low Oil Level	32276313	1
1-48	Oil, Sightglass (If Low Oil Level Switch is not Used)	97330245	1

All manufacturer's names, numbers, photos, product description and/or part numbers are used for reference purposes only & it is not implied that any part listed is the product of these manufacturers. Since Approvement are made from time to time, the illustration and specifications are subject to change without notice.