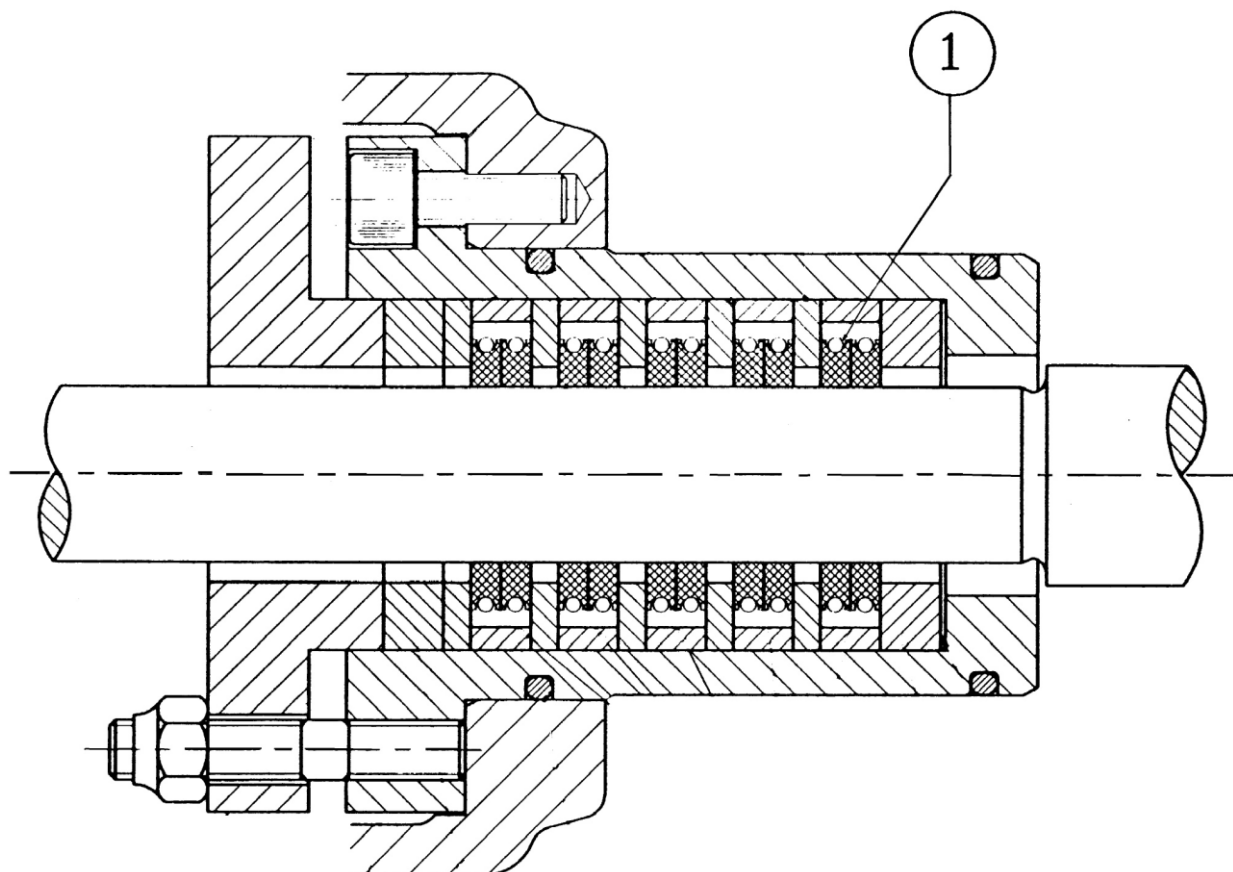


6. SECOND STAGE PACKING ASSEMBLY



All manufacturer's names, numbers, photos, product description and/or part numbers are used for reference purposes only & it is not implied that any part listed is the product of these manufacturers. Since Approvement are made from time to time, the illustration and specifications are subject to change without notice.

6. SECOND STAGE PACKING ASSEMBLY

No.	Description	Ref Part No.	QTY
1	Packing Ring 2nd Stage	H1444196	10