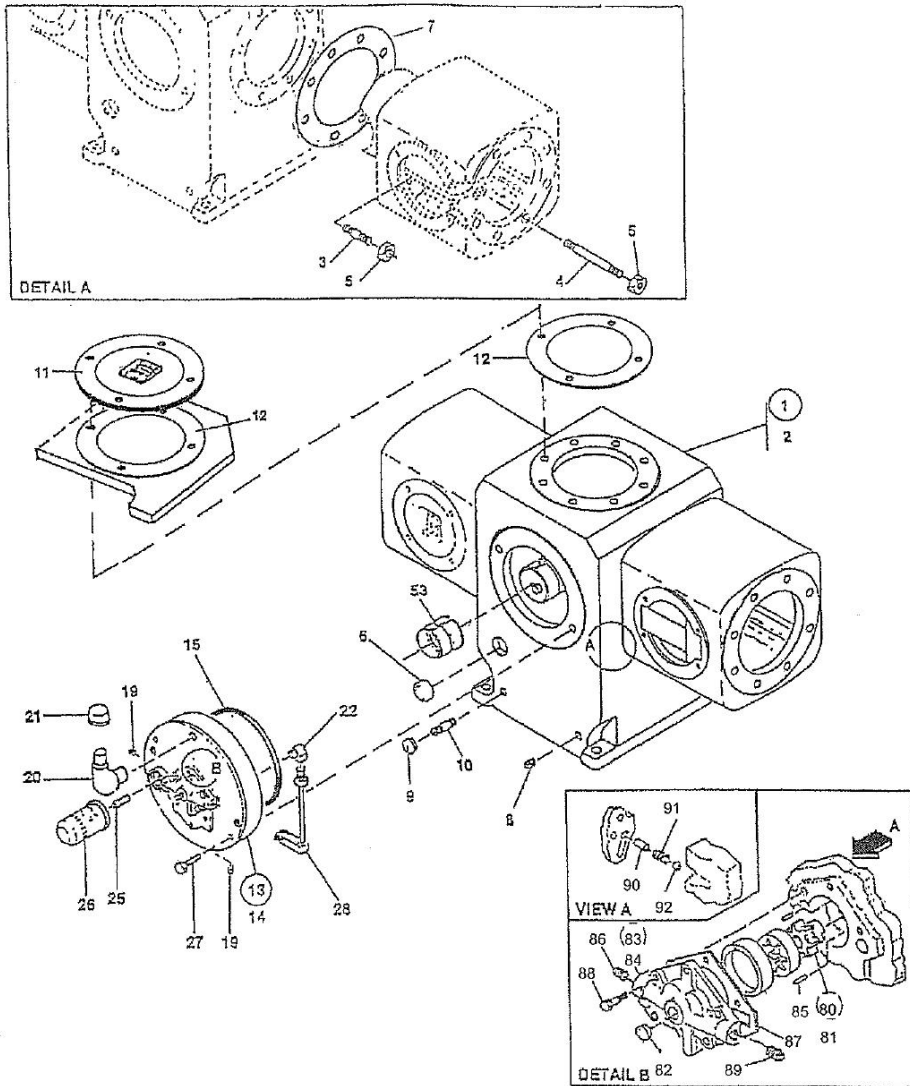


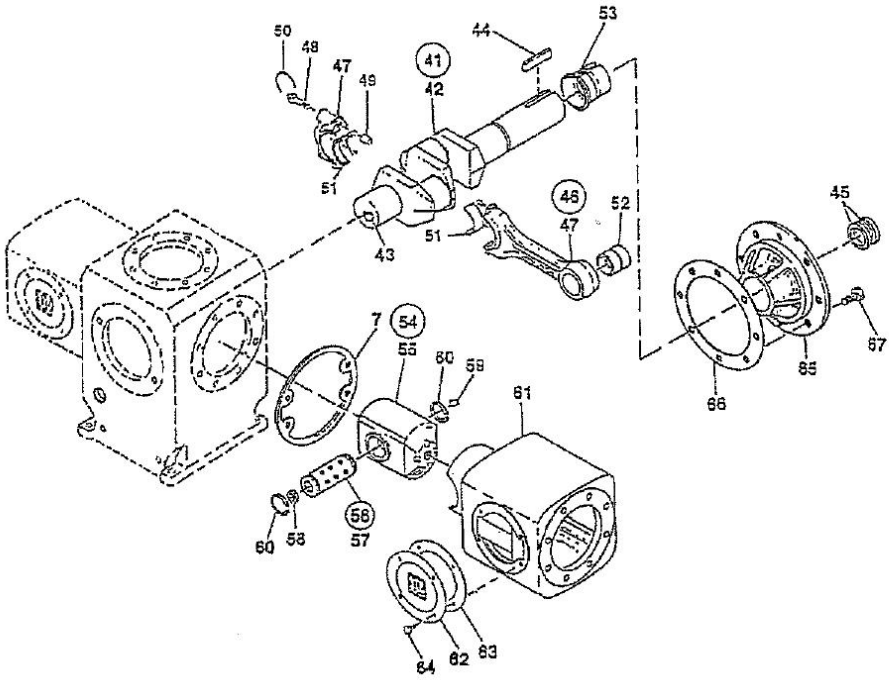
1 FRAME & RUNNING GEAR - MODEL - 12 & 7 X 7 PHE7 NL

**FIGURE 2 (SHEET 1)
FRAME & GEAR**



**1 FRAME & RUNNING GEAR - MODEL - 12 & 7 X 7
PHE7 NL**

**FIGURE 2 (SHEET 2)
FRAME & GEAR**



1 FRAME & RUNNING GEAR - MODEL - 12 & 7 X 7 PHE7 NL

| Sr.No | Description | Ref Part Nos | Qty |
|-------|---|------------------|-----|
| - | COMP 12 & 7 X 7 PHE7 PKG 600RPM 120HP ASSEMBLY | 17297342A | 1 |
| - | . COMP 12P & 7P X 7 PHE7 NL | 17299801 | 1 |
| - | . . FRAME & RUNNING GEAR IHE-7 NL | 40087512I | 1 |
| - | . . . FRAME COMPLETE IHE | 70315353P | 1 |
| 1-1 | FRAME PHE-7 STANDARD | 39781521 | 1 |
| - | O-RING 1 X 1-1/4 X 1/8 | 95018024 | 2 |
| 1-3 | STUD 3/4IN X 3-1/2IN | 95593653 | 8 |
| 1-5 | NUT HEX 3/4 UNC ESV | 95077822 | 8 |
| 1-7 | GASKET FRAME PHE-7 | 39583869 | 2 |
| 1-6 | GLASS OIL LEVEL | 39137245 | 1 |
| 1-11 | COVER DISTANCE PIECE | 39464615 | 1 |
| 1-12 | GASKET COVER DISTANCE PIECE | 39535216 | 1 |
| 1-4 | STUD 3/4IN X 9-5/8 L | 95745766 | 8 |
| 1-5 | NUT HEX 3/4 UNC ESV | 95077822 | 8 |
| - | SCREW CAP HEX HEAD 3/4 X 1 | 95104592 | 4 |
| - | ASSEMBLY DRAIN 5" & 7" STROKE ESV | 42117838 | 1 |
| 1-10 | NIPPLE PIPE 1/2IN X 4IN | 95097424 | 1 |
| 1-9 | CAP PIPE SCREWED 1/2 IHE | 97070213 | 1 |
| 1-8 | PLUG PIPE SQ.HD.3/4IN NPT | 95002143 | 2 |
| - | PLUG 1-1/4 NPT SQ.HEAD | 95033569 | 1 |
| - | ASSEMBLY HOUSING MAIN BEARING FOR IHE | 70427059 | 1 |
| 1-14 | HOUSING MB WITH BUSH | 42168690 | 1 |
| 1-19 | PLUG COUNTER SHUNK 3/8IN NPT | 95101705 | 2 |
| - | PLATE ROTATION 5IN ESV S.S. | 39516646 | 1 |
| - | SCREW MACHINE 0.114" X 0.25" | 39175070 | 2 |
| 1-27 | SCREW CAP HEX HEAD 3/4 X 4 | 95104709 | 2 |
| 1-15 | O-RING 14 X 14-1/2 X 1/4 | 95018370 | 1 |
| 1-22 | ELBOW MAIN BEARING HOUSING-0.50 NPT | 94425162 | 1 |
| 1-26 | FILTER OIL | 30472161 | 1 |
| 1-25 | ADAPTER OIL FILTER | 30179220 | 1 |
| 1-21 | CAP BREATHER | 30557888 | 1 |
| 1-20 | BREATHER ELBOW CAST AL. | 39314323 | 1 |
| 1-53 | BUSH MBH 7ESV | 30557565 | 1 |
| - | ASSEMBLY PIPE OIL SUCTION FOR IHE | 70427000 | 1 |
| - | PIPE WITH SCREEN FOR OIL SUCTION | 94414612 | 1 |
| - | NUT CONNECTOR | 97076277 | 1 |
| - | ASSEMBLY OIL PUMP COVER FOR IHE | 70427018 | 1 |
| 1-84 | COVER LUBRICATOR OIL PUMP WITH BUSH | 39863683 | 1 |
| 1-90 | PIN ROLL 5/16 X 1 | 95098653 | 1 |
| 1-86 | PLUG PIPE SQ.HD 1/2 NPT | 95033619 | 1 |
| 1-87 | GASKET COVER OIL PUMP | 30205280 | 1 |
| - | SCREW CAP HEX HEAD 7/16 X 1 INCH | 95104006IM | 5 |
| - | PLUG COUNTER SHUNK 3/8IN NPT | 95101705 | 1 |
| 1-85 | PIN DOWEL -OIL PUMP-1/4DX1L | 95033825 | 1 |
| 1-91 | SPRING VALVE RELIEF | 30508741IM | 1 |
| 1-92 | BALL RELIEF VALVE, 1/2 INCH, E52100 | 95320446 | 1 |
| - | ASSEMBLY OIL PUMP NL FOR IHE | 70427026 | 1 |
| - | ASSEMBLY OIL PUMP ESV | 30427140 | 1 |

1 FRAME & RUNNING GEAR - MODEL - 12 & 7 X 7 PHE7 NL

| | | | |
|-------------|--|-----------------|-----|
| 1-81 | SHAFT DRIVE OIL PUMP | 37141041 | 1 |
| 1-81 | RING LOCATING - OIL PUMP | 37141058 | 1 |
| 1-81 | ROTOR INNER GEAR IDLER 5 & 7 ESV | 97059414 | 1 |
| 1-81 | ROTOR OUTER GEAR DRIVE 5 & 7 ESV | 97059422 | 1 |
| - | COVER SHAFT | 30253892 | 1 |
| - | . . . ASSEMBLY CRANKSHAFT IHE WITH KEY | 39642731 | 1 |
| 1-42 | CRANKSHAFT 7 INCH IHE/PHE | 39781364 | 1 |
| 1-43 | PIN DOWEL CRANKSHAFT | 70408240 | 1 |
| 1-44 | KEY CRNKSHFT 7/8INCH X 4.5INCH | 95545679 | 1 |
| - | . . . ASSEMBLY ROD CONNECTING FOR IHE | 70427034 | 2 |
| 1-47 | ROD CONNECTING 7 WITH CAPBUSH & BOLT | 42156448 | 1 |
| 1-51 | BUSHING CONNECTING ROD | 30557532 | 1 |
| 1-52 | BUSHING CRANKPIN 7ESV | 30557540 | 1 |
| 1-50 | WIRE LOCKING ESV | 37605177 | 1.5 |
| - | . . . ASSEMBLY CROSSHEAD 7" IHE | 70427042 | 2 |
| 1-60 | RING RETAINER | 30576136IM | 2 |
| 1-55 | CROSSHEAD 7" STROKE | 30559736 | 1 |
| 1-56 | ASSEMBLY PIN CROSS HEAD | 37087707 | 1 |
| 1-57 | PIN CROSS HEAD | 90732538 | 1 |
| 1-58 | PLUG CROSS HEAD PIN | 30206940 | 1 |
| 1-59 | PLUG 1/4 | 95250932 | 1 |
| - | . . . ASSEMBLY HOUSING M.B. DRIVE END | 70315361 | 1 |
| 1-13 | HOUSING M.B. DRIVE END IHE | 39535489 | 1 |
| 1-27 | SCREW CAP HEX HEAD 3/4 X 1-3/4 | 95104642 | 8 |
| 1-68 | GASKET BRG HSG DRIVE SIDE | 39535224 | 1 |
| 1-53 | BUSH MBH 7ESV | 30557565 | 1 |
| 1-45 | SEAL OIL CRANK SHAFT | 37794377 | 2 |
| - | . . . ASSEMBLY DISTANCE PIECE & GUIDE IHE | 70421912 | 2 |
| 1-61 | DISTANCE PIECE & GUIDE | 39781430 | 1 |
| 1-62 | COVER DISTANCE PIECE | 39464615 | 1 |
| 1-63 | GASKET COVER DISTANCE PIECE | 39535216 | 2 |
| - | COVER DISTANCE PIECE WITH GUIDE | 70421557 | 1 |
| 1-64 | SCREW CAP HEX HEAD 3/4 X 1 | 95104592 | 8 |
| - | PLUG PIPE SQ.HD. 1/4 NPT | 95033593 | 1 |
| 1-13 | HOUSING M.B. DRIVE END IHE | 39535489 | 1 |
| 1-27 | SCREW CAP HEX HEAD 3/4 X 1-3/4 | 95104642 | 8 |
| 1-68 | GASKET BRG HSG DRIVE SIDE | 39535224 | 1 |
| 1-53 | BUSH MBH 7ESV | 30557565 | 1 |
| 1-45 | SEAL OIL CRANK SHAFT | 37794377 | 2 |
| - | . . . ASSEMBLY DISTANCE PIECE & GUIDE IHE | 70421912 | 2 |
| 1-61 | DISTANCE PIECE & GUIDE | 39781430 | 1 |
| 1-62 | COVER DISTANCE PIECE | 39464615 | 1 |
| 1-63 | GASKET COVER DISTANCE PIECE | 39535216 | 2 |
| - | COVER DISTANCE PIECE WITH GUIDE | 70421557 | 1 |
| 1-64 | SCREW CAP HEX HEAD 3/4 X 1 | 95104592 | 8 |
| - | PLUG PIPE SQ.HD. 1/4 NPT | 95033593 | 1 |

All manufacturer's names, numbers, photos, product description and/or part numbers are used for reference purposes only & it is not implied that any part listed is the product of these manufacturers. Since Approval are made from time to time, the illustration and specifications are subject to change without notice.