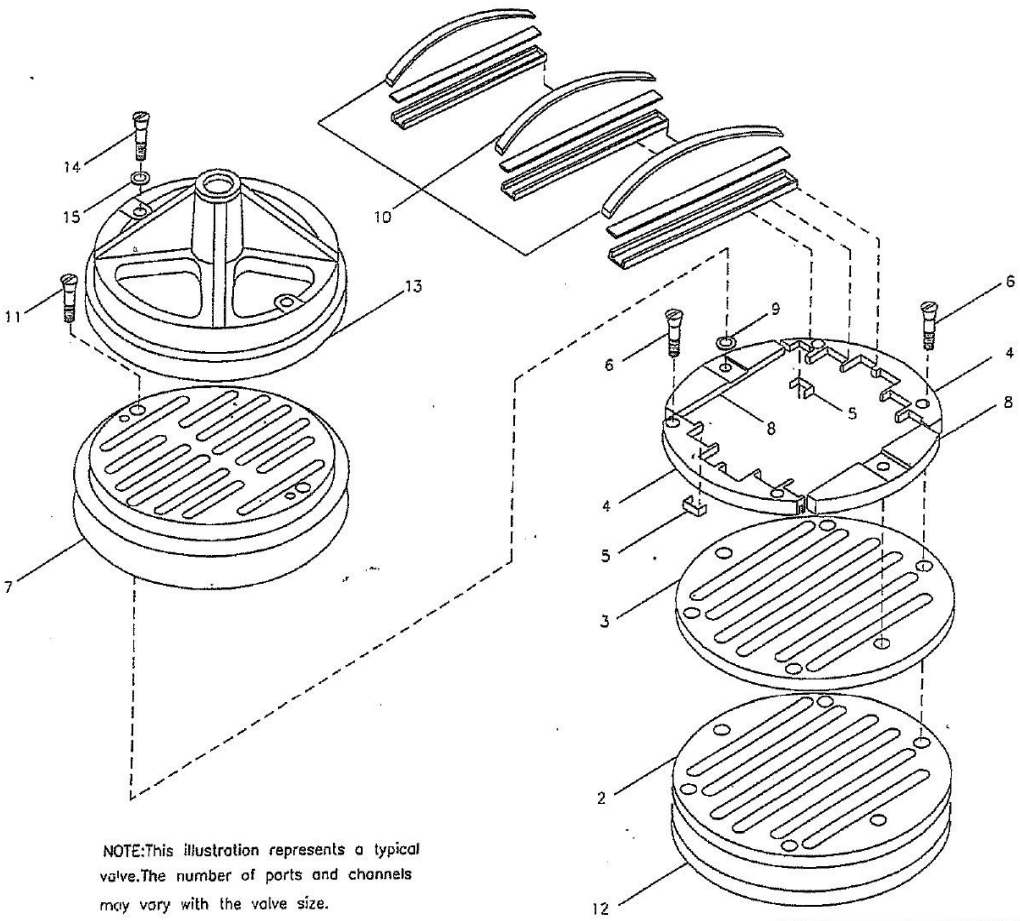


**8 VALVE DISCH COMPLET WITH CRAB - MODEL - 12 & 7 X
PHE7 NL**



NOTE: This illustration represents a typical valve. The number of ports and channels may vary with the valve size.

8 VALVE DISCH COMPLET WITH CRAB - MODEL - 12 & 7 X PHE7 NL

Sr.No	Description	Ref Part Nos	Qty
–	. . ASSEMBLY VALVE DISCH & CRAB A54	37880804	4
–	. . . VALVE DISCHARGE A54 NL [SPEC-58096]	37157914	1
8-7 STOP PLATE(IN/DIS) DISCH VALVE IHE	37157930	1
8-8 BALANCER FLOW BARE	37074200	2
8-9 WASHER BWL	37039377	2
8-10 CHANNEL & SPRING SET	17287962	1
8-11 SCREW MACHINE	95110581	2
8-2 SEAT VALVE (IN/DIS) DISCH IHE	41029554	1
8-3 PLATE SEAT A54	17278433	1
8-4 HOLDER GUIDE 12IHE-NL	37039351IM	2
8-5 GUIDE VALVE	37039179IM	12
8-6 SCREW MACHINE	37025988	4
8-13	. . . CRAB VALVE 18X5	30439848	1
8-15	. . . WASHER LOCK 1/4	95081873	2
–	. . . GASKET SEAT VLV 18X5	37026556	1

8 VALVE DISCH COMPLET WITH CRAB - MODEL - 12 & 7 X PHE7 NL

All manufacturer's names, numbers, photos, product description and/or part numbers are used for reference purposes only & it is not implied that any part listed is the product of these manufacturers. Since Approvement are made from time to time, the illustration and specifications are subject to change without notice.

www.partsforcompressor.com